

BS88 fuse links

CT, ET, FE, EET

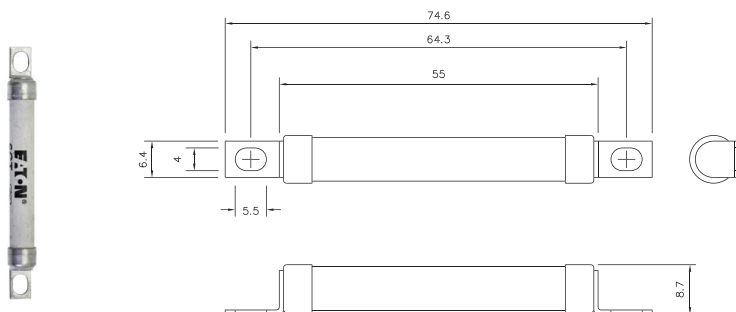
CT, ET, FE and EET, 6 to 160 A, 690 V a.c. and 500 V d.c., aR

Catalogue number	Rated current (Amps)	Rated voltage	Pack qty	MOQ	Fuse holders
6CT	6	690 V a.c./ 500 V d.c.	20	20	N/A
10CT	10	690 V a.c./ 500 V d.c.	20	20	N/A
12CT	12	690 V a.c./ 500 V d.c.	20	20	N/A
16CT	16	690 V a.c./ 500 V d.c.	20	20	N/A
20CT	20	690 V a.c./ 500 V d.c.	20	20	N/A
8ET	8	690 V a.c./ 500 V d.c.	10	10	BH-0111
12ET	12	690 V a.c./ 500 V d.c.	10	10	BH-0111
15ET	15	690 V a.c./ 500 V d.c.	10	10	BH-0111
20ET	20	690 V a.c./ 500 V d.c.	10	10	BH-0111
25ET	25	690 V a.c./ 500 V d.c.	10	10	BH-0111
32ET	32	690 V a.c./ 500 V d.c.	10	10	BH-0111
35ET	35	690 V a.c./ 500 V d.c.	10	10	BH-0111
40ET	40	690 V a.c./ 500 V d.c.	10	10	BH-0111
45ET	45	690 V a.c./ 500 V d.c.	10	10	BH-0111
56ET	56	690 V a.c./ 500 V d.c.	10	10	BH-0111
63ET	63	690 V a.c./ 500 V d.c.	10	10	BH-0111
80ET	80	690 V a.c./ 500 V d.c.	10	10	BH-0111
35FE	35	690 V a.c./ 500 V d.c.	10	10	BH-0111
40FE	40	690 V a.c./ 500 V d.c.	10	10	BH-0111
45FE	45	690 V a.c./ 500 V d.c.	10	10	BH-0111
50FE	50	690 V a.c./ 500 V d.c.	10	10	BH-0111
63FE	63	690 V a.c./ 500 V d.c.	10	10	BH-0111
71FE	71	690 V a.c./ 500 V d.c.	10	10	BH-0111
80FE	80	690 V a.c./ 500 V d.c.	10	10	BH-0111
90FE	90	690 V a.c./ 500 V d.c.	10	10	BH-0111
100FE	100	690 V a.c./ 500 V d.c.	10	10	BH-0111
56EET	56	690 V a.c./ 500 V d.c.	5	5	BH-0122
65EET	65	690 V a.c./ 500 V d.c.	5	5	BH-0122
75EET	75	690 V a.c./ 500 V d.c.	5	5	BH-0122
90EET	90	690 V a.c./ 500 V d.c.	5	5	BH-0122
110EET	110	690 V a.c./ 500 V d.c.	5	5	BH-1132
140EET	140	690 V a.c./ 500 V d.c.	5	5	BH-1132
160EET	160	690 V a.c./ 500 V d.c.	5	5	BH-1132

High speed

8ET, 12ET, 15ET, 20ET, 65EET and 75EET are available for replacement purposes on existing equipment.

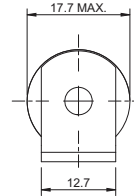
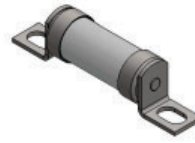
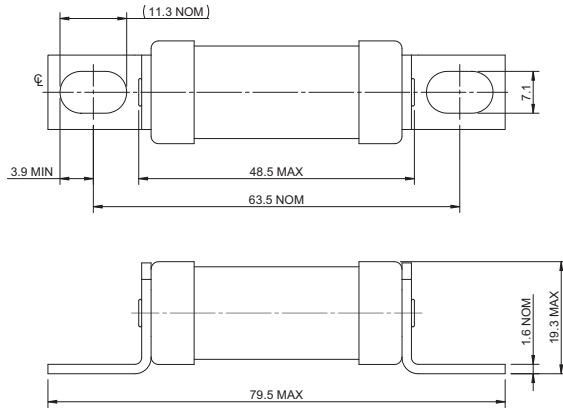
Dimensions - mm, CT



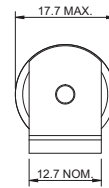
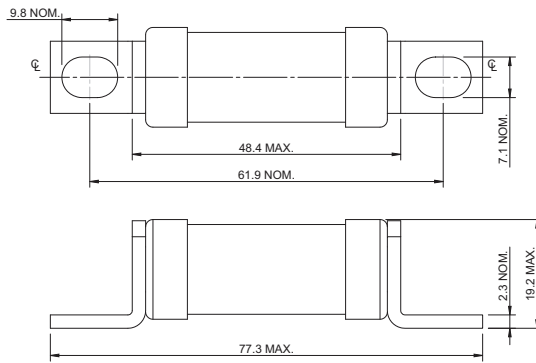
BS88 fuse links

CT, ET, FE, EET

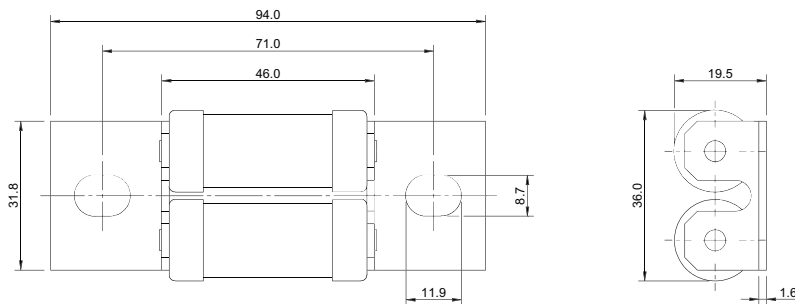
Dimensions - mm, ET, FE up to 63 A



Dimensions - mm, ET, FE greater than 63 A



Dimensions - mm, EET



High speed

BS88 fuse links

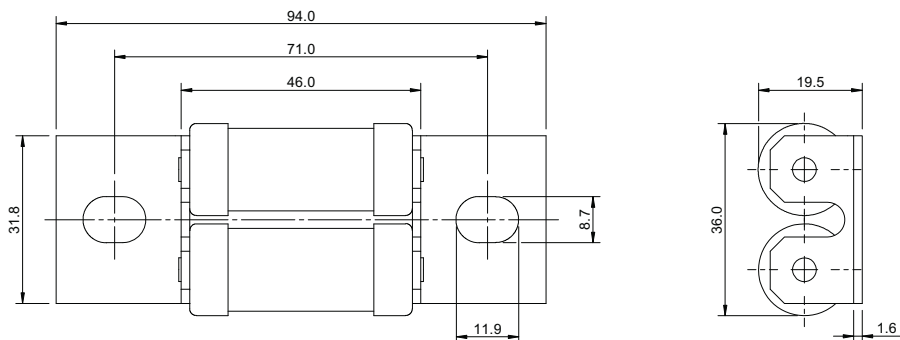
FEE, FM, FMM, MT, MMT

FEE, FM, FMM, MT and MMT, 100 to 710 A, 690 V a.c. and 350-500 V d.c., aR

High speed

Catalogue number	Rated current (Amps)	Rated voltage	Pack qty	MOQ	Fuse holders
100FEE	100	690 V a.c./ 500 V d.c.	5	5	BH-0122
120FEE	120	690 V a.c./ 500 V d.c.	5	5	BH-1132
140FEE	140	690 V a.c./ 500 V d.c.	5	5	BH-1132
160FEE	160	690 V a.c./ 500 V d.c.	5	5	BH-1132
180FEE	180	690 V a.c./ 500 V d.c.	5	5	BH-1132
200FEE	200	690 V a.c./ 500 V d.c.	5	5	BH-1132
180FM	180	690 V a.c./ 450 V d.c.	1	1	BH-1133
200FM	200	690 V a.c./ 450 V d.c.	1	1	BH-1133
225FM	225	690 V a.c./ 450 V d.c.	1	1	BH-1133
250FM	250	690 V a.c./ 450 V d.c.	1	1	BH-1133
280FM	280	690 V a.c./ 450 V d.c.	1	1	BH-1133
315FM	315	690 V a.c./ 450 V d.c.	1	1	BH-1133
350FM	350	690 V a.c./ 450 V d.c.	1	1	BH-1133
400FMM	400	690 V a.c./ 450 V d.c.	1	1	BH-1133
450FMM	450	690 V a.c./ 450 V d.c.	1	1	BH-1133
500FMM	500	690 V a.c./ 450 V d.c.	1	1	BH-1133
550FMM	550	690 V a.c./ 450 V d.c.	1	1	BH-1133
630FMM	630	690 V a.c./ 450 V d.c.	1	1	BH-1133
700FMM	700	690 V a.c./ 450 V d.c.	1	1	BH-1133
160MT	160	690 V a.c./ 500 V d.c.	1	1	BH-1133
180MT	180	690 V a.c./ 500 V d.c.	1	1	BH-1133
200MT	200	690 V a.c./ 500 V d.c.	1	1	BH-1133
250MT	250	690 V a.c./ 500 V d.c.	1	1	BH-1133
280MT	280	690 V a.c./ 500 V d.c.	1	1	BH-1133
315MT	315	690 V a.c./ 500 V d.c.	1	1	BH-1133
355MT	355	690 V a.c./ 500 V d.c.	1	1	BH-1133
180MMT	180	690 V a.c./ 350 V d.c.	1	1	BH-1133
200MMT	200	690 V a.c./ 350 V d.c.	1	1	BH-1133
225MMT	225	690 V a.c./ 350 V d.c.	1	1	BH-1133
280MMT	280	690 V a.c./ 350 V d.c.	1	1	BH-1133
315MMT	315	690 V a.c./ 350 V d.c.	1	1	BH-1133
355MMT	355	690 V a.c./ 350 V d.c.	1	1	BH-1133
400MMT	400	690 V a.c./ 350 V d.c.	1	1	BH-1133
450MMT	450	690 V a.c./ 350 V d.c.	1	1	BH-3133
500MMT	500	690 V a.c./ 350 V d.c.	1	1	BH-3133
560MMT	560	690 V a.c./ 350 V d.c.	1	1	BH-3133
630MMT	630	690 V a.c./ 350 V d.c.	1	1	BH-3133
710MMT	710	690 V a.c./ 350 V d.c.	1	1	BH-3133

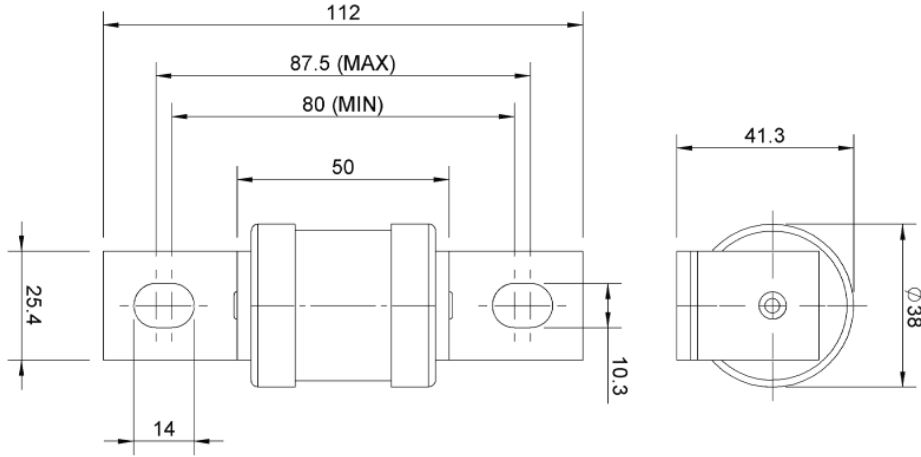
Dimensions - mm, FEE



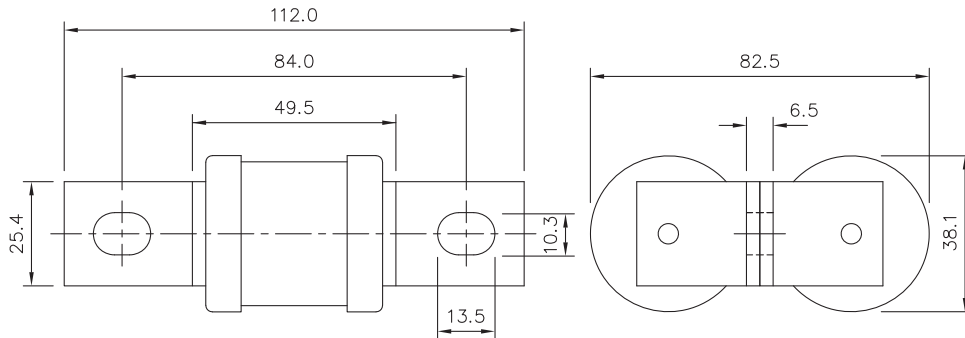
BS88 fuse links

FEE, FM, FMM, MT, MMT

Dimensions - mm, FM and MT



Dimensions - mm, FMM and MMT



High speed