

BS88 fuse links

LCT, LET, LMT, LMMT

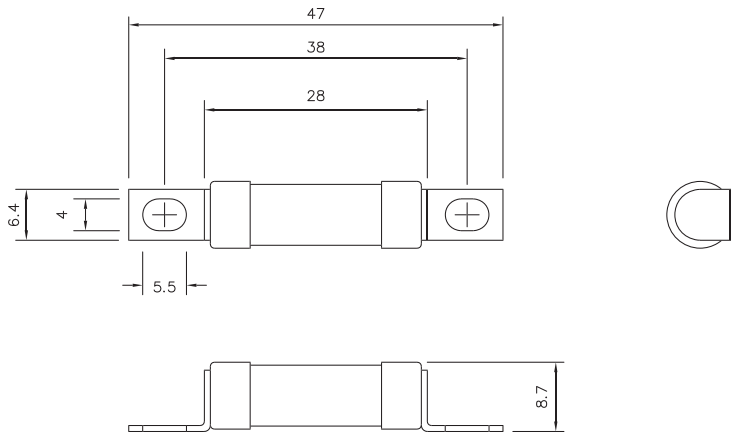
LCT, LET, LMT and LMMT, 6 to 900 A, 240 V a.c. and 150 V d.c., aR

High speed

Catalogue number	Rated current (Amps)	Rated voltage	Pack qty	MOQ	Fuse holder
6LCT	6	240 V a.c./ 150 V d.c.	20	20	BH-0111
10LCT	10	240 V a.c./ 150 V d.c.	20	20	BH-0111
12LCT	12	240 V a.c./ 150 V d.c.	20	20	BH-0111
16LCT	16	240 V a.c./ 150 V d.c.	20	20	BH-0111
20LCT	20	240 V a.c./ 150 V d.c.	20	20	BH-0111
7LET	7	240 V a.c./ 150 V d.c.	10	10	BH-0111
10LET	10	240 V a.c./ 150 V d.c.	10	10	BH-0111
12LET	12	240 V a.c./ 150 V d.c.	10	10	BH-0111
16LET	16	240 V a.c./ 150 V d.c.	10	10	BH-0111
20LET	20	240 V a.c./ 150 V d.c.	10	10	BH-0111
25LET	25	240 V a.c./ 150 V d.c.	10	10	BH-0111
32LET	32	240 V a.c./ 150 V d.c.	10	10	BH-0111
35LET	35	240 V a.c./ 150 V d.c.	10	10	BH-0111
50LET	50	240 V a.c./ 150 V d.c.	10	10	BH-0111
63LET	63	240 V a.c./ 150 V d.c.	10	10	BH-0111
80LET	80	240 V a.c./ 150 V d.c.	10	10	BH-0111
100LET	100	240 V a.c./ 150 V d.c.	10	10	BH-0111
125LET	125	240 V a.c./ 150 V d.c.	10	10	BH-0111
160LET	160	240 V a.c./ 150 V d.c.	10	10	BH-0111
180LET	180	240 V a.c./ 150 V d.c.	10	10	BH-0111
160LMT	160	240 V a.c./ 150 V d.c.	1	1	BH-0111
200LMT	200	240 V a.c./ 150 V d.c.	1	1	BH-0111
250LMT	250	240 V a.c./ 150 V d.c.	1	1	BH-0111
315LMT	315	240 V a.c./ 150 V d.c.	1	1	BH-0111
355LMT	355	240 V a.c./ 150 V d.c.	1	1	BH-0111
400LMT	400	240 V a.c./ 150 V d.c.	1	1	BH-0111
450LMT	450	240 V a.c./ 150 V d.c.	1	1	BH-0111
400LMMT	400	240 V a.c./ 150 V d.c.	1	1	BH-0111
500LMMT	500	240 V a.c./ 150 V d.c.	1	1	BH-0111
630LMMT	630	240 V a.c./ 150 V d.c.	1	1	BH-0111
710LMMT	710	240 V a.c./ 150 V d.c.	1	1	BH-0111
800LMMT	800	240 V a.c./ 150 V d.c.	1	1	BH-0111
900LMMT	900	240 V a.c./ 150 V d.c.	1	1	BH-0111

7LET, 10LET, 12LET and 16LET are available for replacement purposes on existing equipment.

Dimensions - mm, LCT

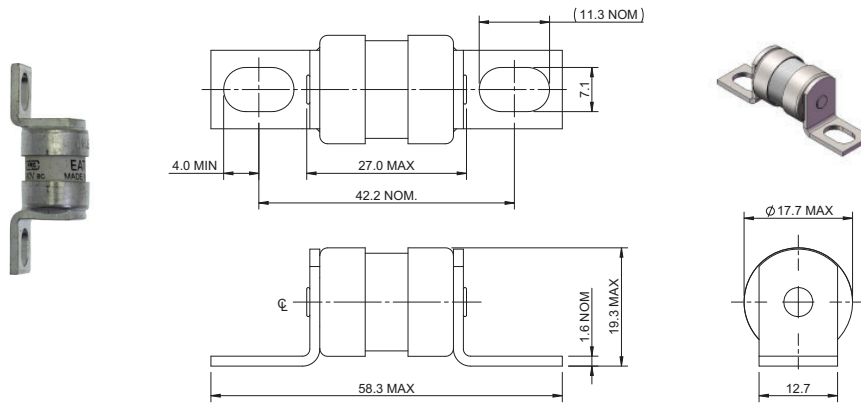


LCT

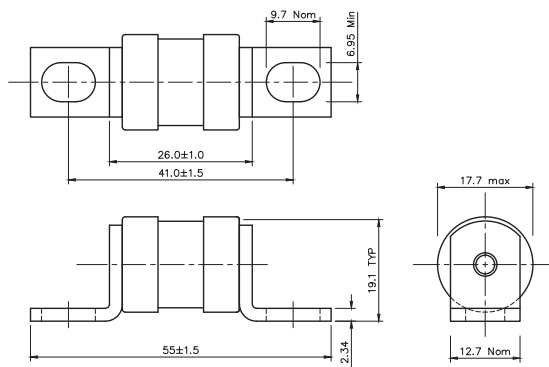
BS88 fuse links

LCT, LET, LMT, LMMT

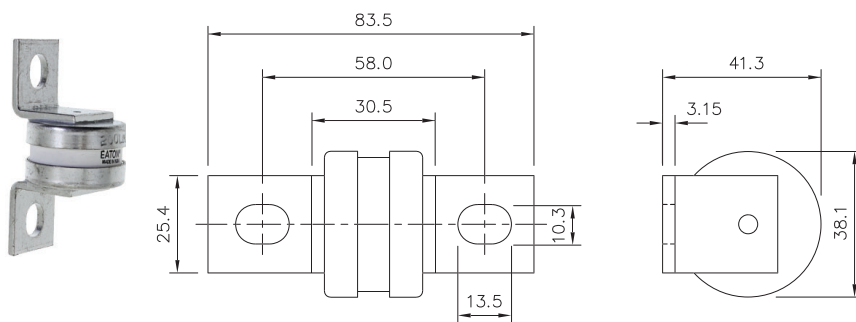
Dimensions - mm, LET up to 63 A



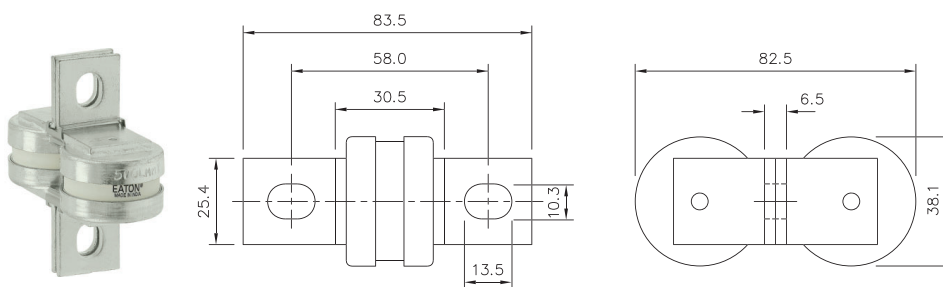
Dimensions - mm, LET 80 A to 180 A indicator optional



Dimensions - mm, LMT



Dimensions - mm, LMMT indicator optional



High speed